



ROCA  WEAR

Crisby Interiors



Chris Brandley
chris@llamanade.net
415-827-2839

Project

**Rocawear
Clothing Co.**

Marketing and Advertising Headquarters
San Francisco, CA

Issue Dates

Date	Drawn
10/21/08	CB
Scale	Job
	01

Revision	Date	By

TABLE OF CONTENTS

PAGE	DESCRIPTION
T-1	TITLE PAGE
ID-1	PARTITION PLAN
ID-2	TELEPHONE & ELECTRICAL PLAN
ID-3	REFLECTED CEILING PLAN
ID-4	WALL FINISH PLAN
ID-5	FLOOR FINISH PLAN
ID-6	FURNITURE INSTALLATION PLAN
ID-7	DETAIL DRAWINGS OF (RECEPTION OR MAIL AREA)

Sheet Title

Title Page

Sheet No.

T - 1



Project

Rocawear Clothing Co.

Marketing and Advertising Headquarters
San Francisco, CA

Issue Dates

Date
10/21/08

Drawn
CB

Scale
1/4" = 1'-0"

Job
01

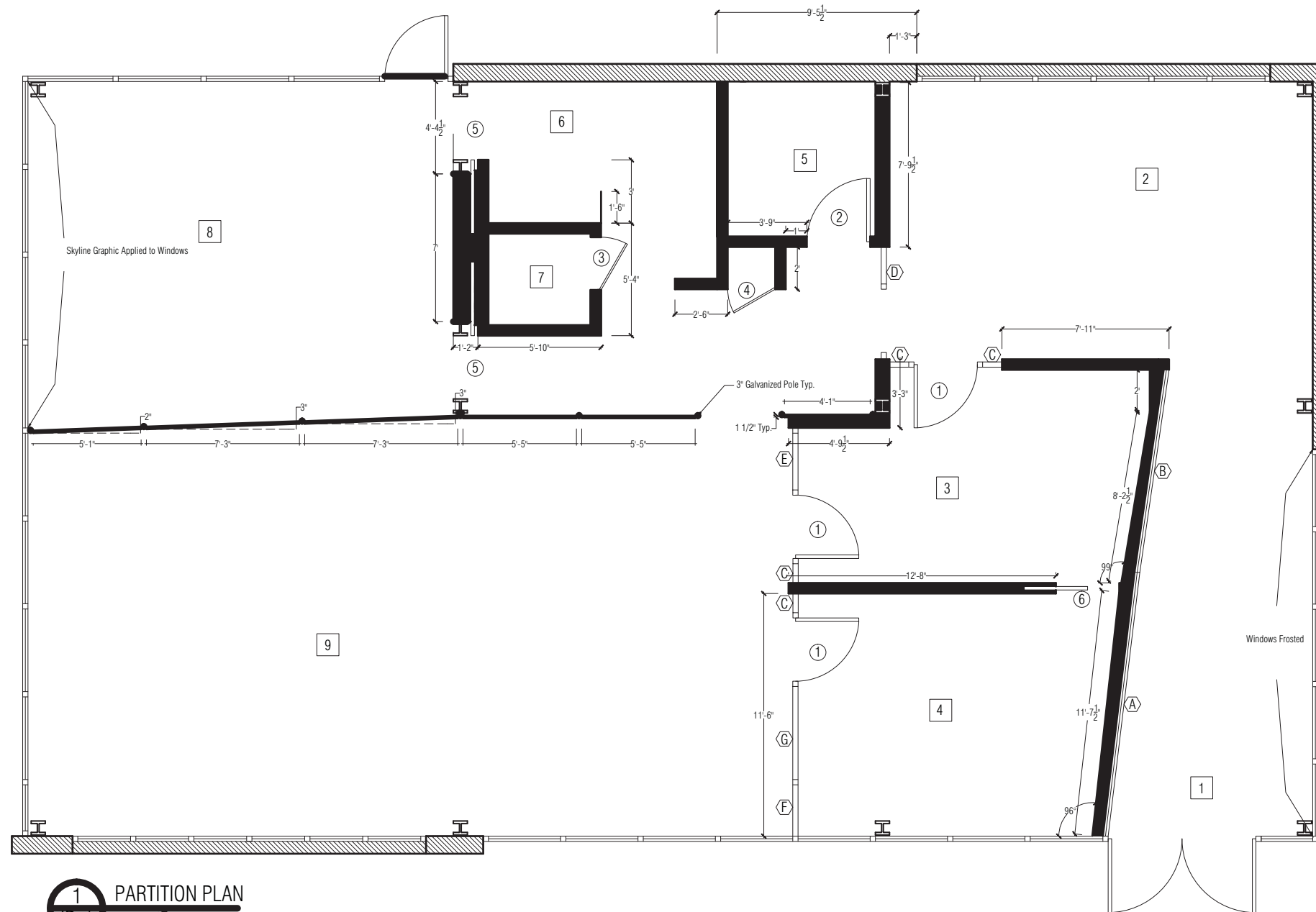
Revision

Date

By

ROOM LEGEND

ROOM NO.	ROOM NAME
1	ENTRY
2	RECEPTION
3	EXECUTIVE DIRECTOR OF MARKETING AND ADVERTISING
4	ACCOUNT EXECUTIVE
5	RESTROOM
6	KITCHENETTE
7	IT / SERVER ROOM
8	CONFERENCE ROOM
9	CREATIVE TEAM / ADMINISTRATIVE ASSISTANT



1 PARTITION PLAN
ID-1 SCALE: 1/4" = 1'-0"

WALL LEGEND		WINDOW SCHEDULE					DOOR SCHEDULE						
	EXISTING WALL TO REMAIN	WINDOW SYMBOL	QUANTITY	UNIT SIZE	TYPE	FINISH	TYPE OF GLASS	DOOR SYMBOL	WIDTH	HEIGHT	THICKNESS	MATERIAL	FRAME
	NEW FULL HEIGHT WALL	(A)	1	12'-7" x 10'-0"	DECORATIVE PANEL		3/8" FROSTED TEMPERED	(1)	3'-0"	7'-0"	1"	PIVOT/FRST. GLASS	ALUM
		(B)	1	9'-9" x 10'-0"	DECORATIVE PANEL		3/8" FROSTED TEMPERED	(2)	3'-0"	7'-0"	1 1/2"	SOLID WD	ALUM
		(C)	4	11" x 10'-0"	FIXED	ALUMINUM	3/8" CLEAR TEMPERED	(3)	2'-6"	7'-0"	1 1/2"	SOLID WD	ALUM
		(D)	1	1'-9" x 10'-0"	FIXED	ALUMINUM	3/8" CLEAR TEMPERED	(4)	2'-3"	7'-0"	1 1/2"	SOLID WD	ALUM
		(E)	1	2'-9" x 10'-0"	FIXED	ALUMINUM	3/8" CLEAR TEMPERED	(5)	3'-6"	7'-0"	1"	SOLID WD POCKET	
		(F)	1	2'-5" x 10'-0"	FIXED	ALUMINUM	3/8" CLEAR TEMPERED	(6)	3'-0"	7'-0"	1"	SOLID WD POCKET	
		(G)	1	4'-5" x 10'-0"	FIXED	ALUMINUM	3/8" CLEAR TEMPERED						

KEY NOTES

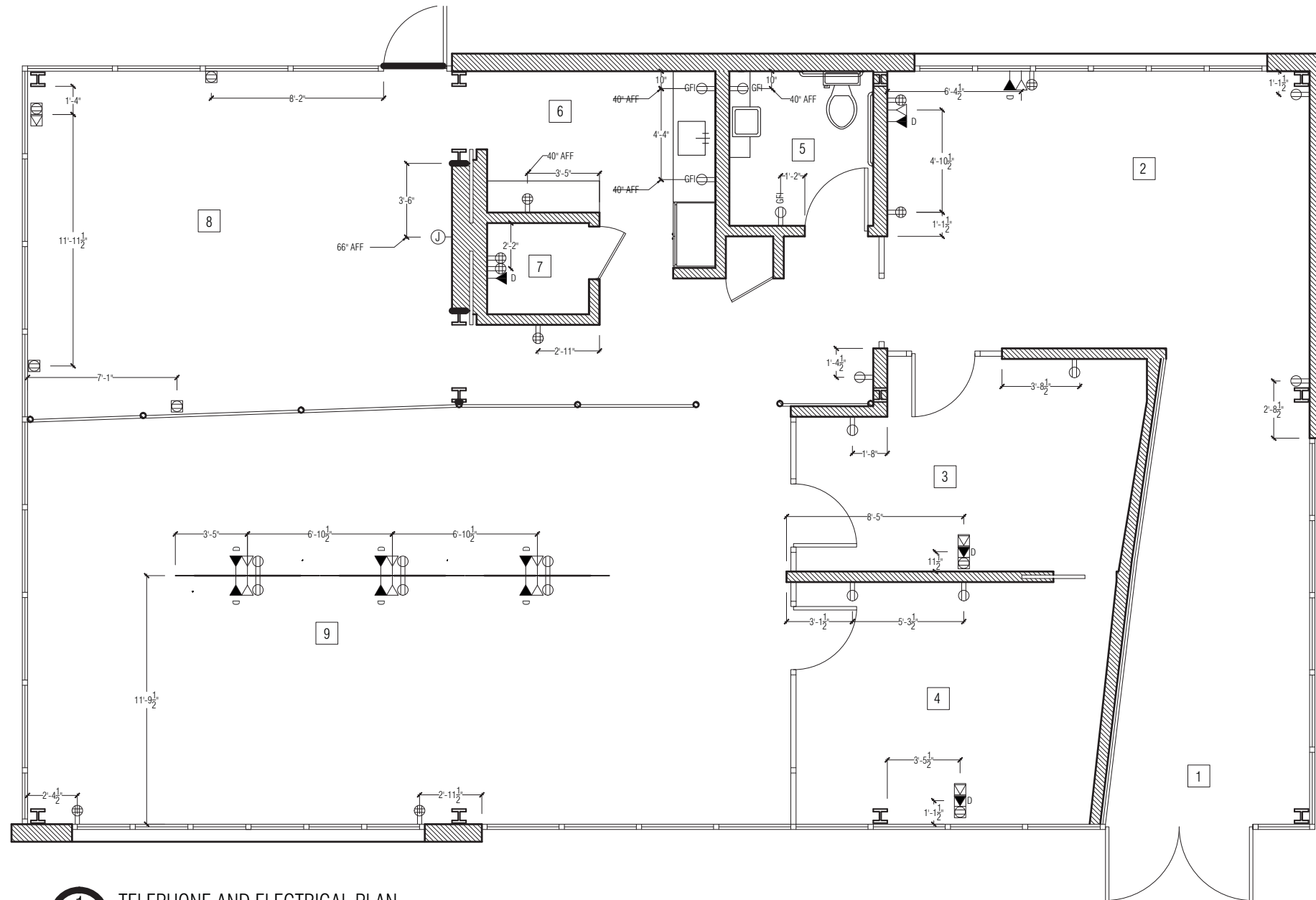
1 REFER TO SHEET ID-8 FOR ELEVATIONS AND DETAILS OF (RECEPTION DESK OR MAIL AREA).

Sheet Title

Partition Plan

Sheet No.

ID - 1



1 TELEPHONE AND ELECTRICAL PLAN
 ID-2 SCALE: 1/4" = 1'-0"

TELEPHONE & ELECTRICAL LEGEND	
SYMBOL	DESCRIPTION
	DUPLEX RECEPTACLE OUTLET
	QUADRUPLEX RECEPTACLE OUTLET
	DUPLEX RECEPTACLE OUTLET - SPLIT WIRED
	DUPLEX RECEPTACLE OUTLET W/ GROUND FAULT INTERRUPTER
	JUNCTION BOX
	TELEPHONE JACK
	DATA JACK
	FLOOR DUPLEX RECEPTACLE OUTLET
	FLOOR TELEPHONE JACK
	FLOOR DATA JACK
	CABLE OUTLET

Crisby Interiors



Chris Brandley
 chris@llamanade.net
 415-827-2839

Project

Rocawear Clothing Co.

Marketing and Advertising Headquarters
 San Francisco, CA

Issue Dates

Date	Drawn
10/21/08	CB
Scale	Job
1/4" = 1'-0"	01

Revision	Date	By

ROOM LEGEND

ROOM NO.	ROOM NAME
1	ENTRY
2	RECEPTION
3	EXECUTIVE DIRECTOR OF MARKETING AND ADVERTISING
4	ACCOUNT EXECUTIVE
5	RESTROOM
6	KITCHENETTE
7	IT / SERVER ROOM
8	CONFERENCE ROOM
9	CREATIVE TEAM / ADMINISTRATIVE ASSISTANT

Sheet Title

Telephone and Electrical Plan

Sheet No.

ID - 2



Project

Rocawear Clothing Co.

Marketing and Advertising Headquarters
San Francisco, CA

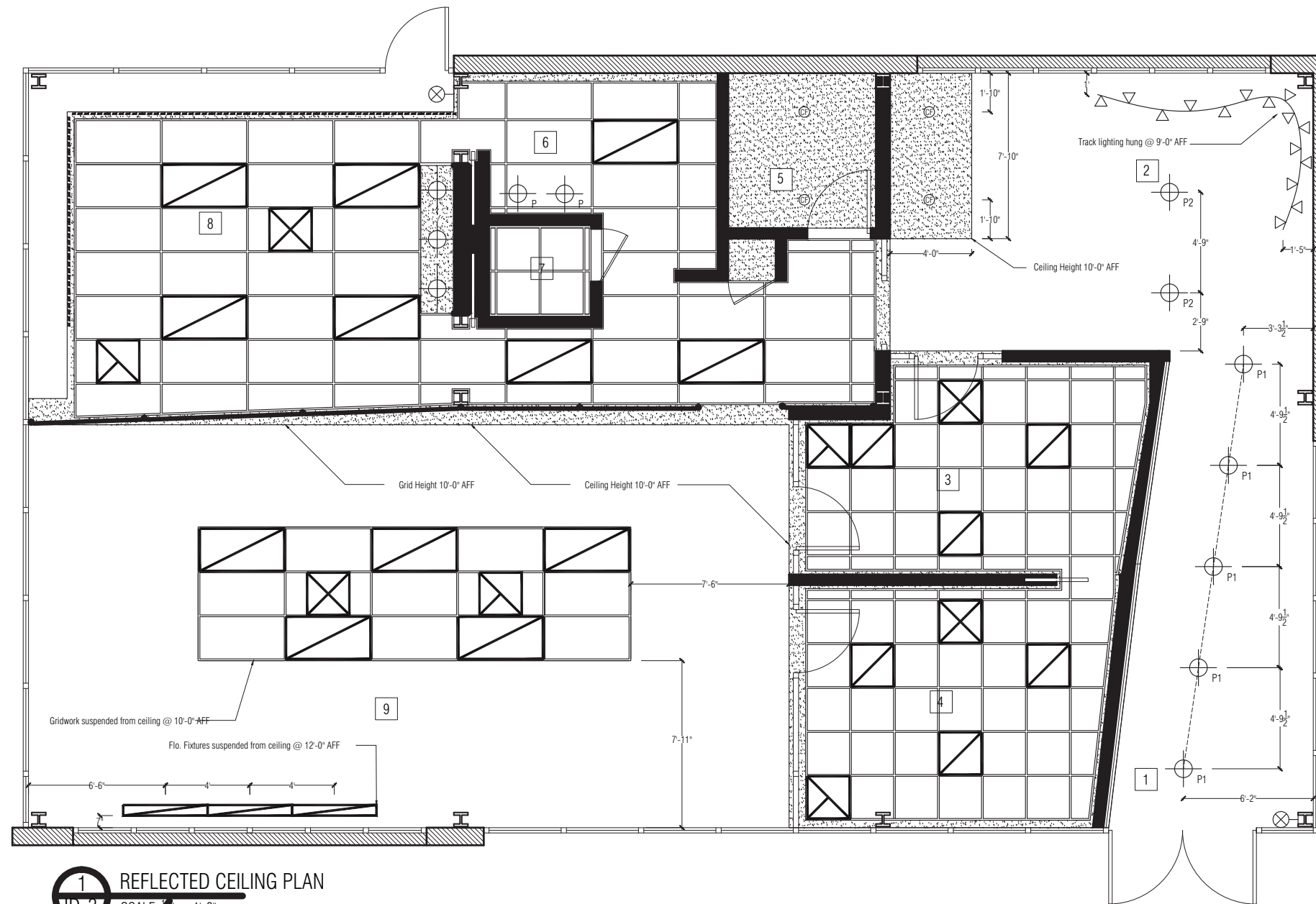
Issue Dates

Date	Drawn
10/21/08	CB
Scale	Job
1" = 1'-0"	01

Revision	Date	By

ROOM LEGEND

ROOM NO.	ROOM NAME
1	ENTRY
2	RECEPTION
3	EXECUTIVE DIRECTOR OF MARKETING AND ADVERTISING
4	ACCOUNT EXECUTIVE
5	RESTROOM
6	KITCHENETTE
7	IT / SERVER ROOM
8	CONFERENCE ROOM
9	CREATIVE TEAM / ADMINISTRATIVE ASSISTANT



1 REFLECTED CEILING PLAN
ID-3 SCALE: 1" = 1'-0"

LIGHTING LEGEND

	6" RECESSED COMPACT FLUORESCENT DOWNLIGHT DESCRIPTION: 75w GE CFL General Lighting		2' X 2' RECESSED FLUORESCENT LIGHT FIXTURE		RETURN AIR GRILLE		2' X 2' SUSPENDED ACOUSTICAL CEILING GRID COLOR: WHITE
	CEILING MOUNTED PENDANT LIGHT FIXTURE -HEIGHT NOTED ON PLAN DESCRIPTION: LBL Cupola		2' X 4' RECESSED FLUORESCENT LIGHT FIXTURE		HVAC REGISTER		2' X 4' SUSPENDED ACOUSTICAL CEILING GRID COLOR: WHITE
	CEILING MOUNTED PENDANT LIGHT FIXTURE -HEIGHT NOTED ON PLAN DESCRIPTION: LBL Mini Volo		FLUORESCENT COVE LIGHTING DOUBLE ROW FLUORESCENT CHANNELS TO BE STAGGERED AT 50% INTERVALS. CONTRACTOR TO COORDINATE APPROPRIATE SIZES. DESCRIPTION:		FINISHED DRYWALL CEILING -HEIGHT NOTED ON PLAN		
	CEILING MOUNTED TRACK LIGHTING - LENGTH & HEIGHT NOTED ON PLAN DESCRIPTION: Snake-Flexible Gooseneck TH274 Black, 50W MR16 12V max.		EXIT LIGHT W/ STANDBY BATTERY				

Sheet Title

Reflected Ceiling

Sheet No.

ID - 3



Project

Rocawear Clothing Co.

Marketing and Advertising Headquarters
San Francisco, CA

Issue Dates

Date
10/21/08

Drawn
CB

Scale
1/4" = 1'-0"

Job
01

Revision

Date

By

Revision	Date	By

ROOM LEGEND

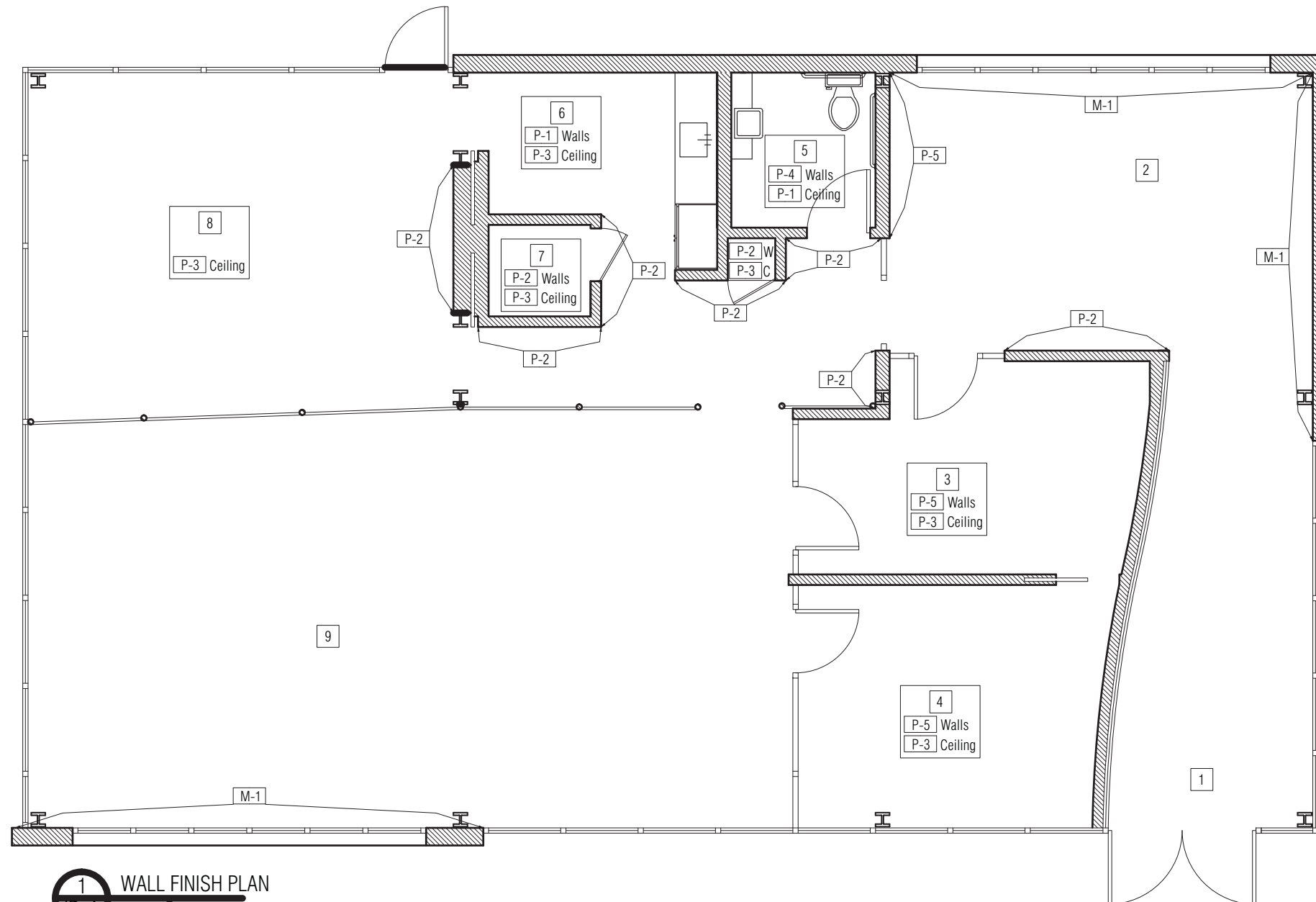
ROOM NO.	ROOM NAME
1	ENTRY
2	RECEPTION
3	EXECUTIVE DIRECTOR OF MARKETING AND ADVERTISING
4	ACCOUNT EXECUTIVE
5	RESTROOM
6	KITCHENETTE
7	IT / SERVER ROOM
8	CONFERENCE ROOM
9	CREATIVE TEAM / ADMINISTRATIVE ASSISTANT

Sheet Title

Wall Finish

Sheet No.

ID - 4



1 WALL FINISH PLAN
ID-4 SCALE: 1/4" = 1'-0"

WALL FINISH SCHEDULE	
SYMBOL	DESCRIPTION
M-1	Masonry Finish; Circular Trowel Pattern
P-1	B. Moore Aura semi-gloss, color: White Opulence OC-69
P-2	B. Moore Aura Satin, color: White Opulence OC-69
P-3	B. Moore Aura Matte, color: Vapor AF-35
P-4	B. Moore Aura semi-gloss, color: Jojoba AF-460
P-5	B. Moore Aura Satin, color: Urban Nature AF-440



Project

Rocawear Clothing Co.

Marketing and Advertising Headquarters
San Francisco, CA

Issue Dates

Date
10/21/08

Drawn
CB

Scale
1/4" = 1'-0"

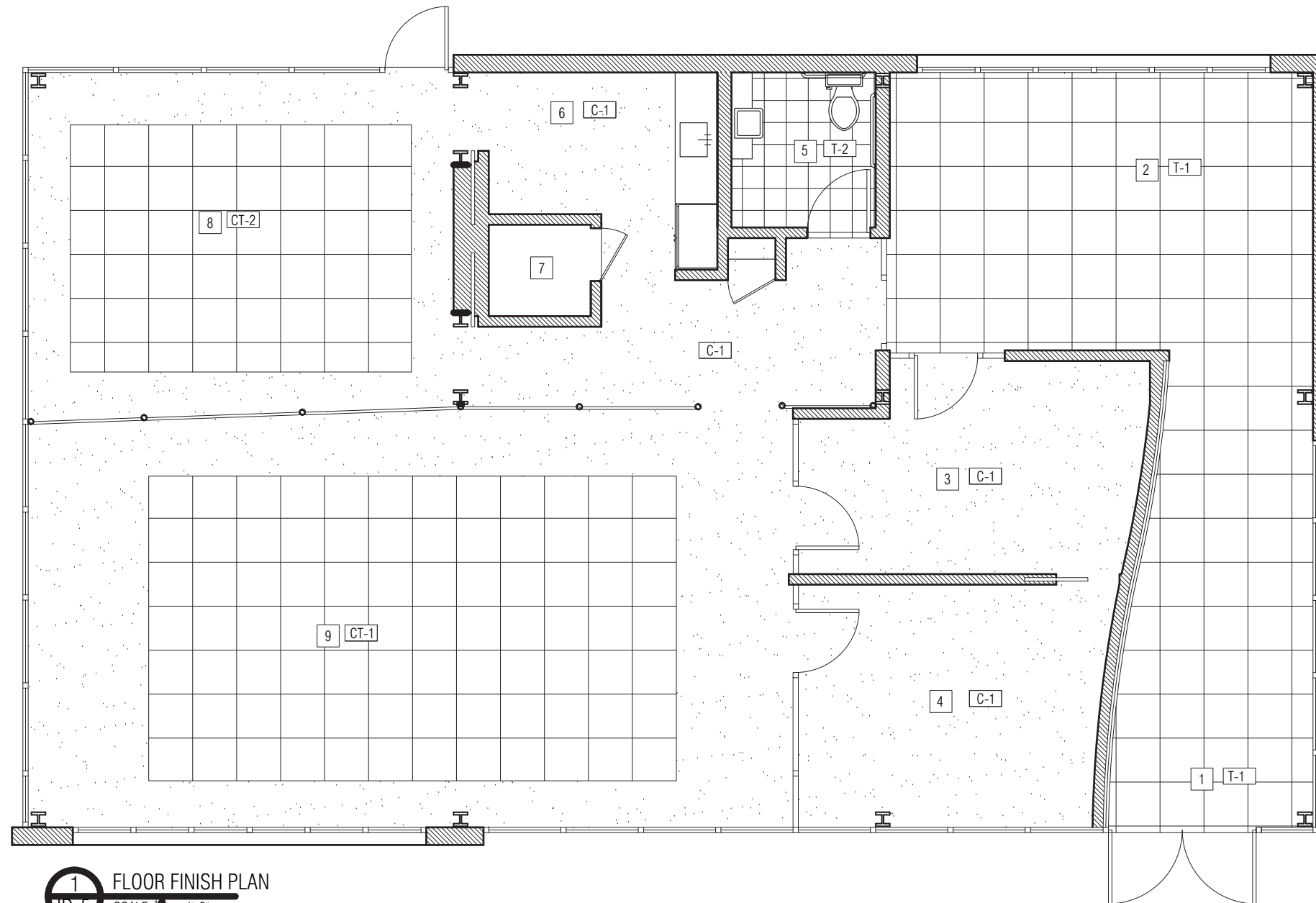
Job
01

Revision

Date

By

ROOM LEGEND	
ROOM NO.	ROOM NAME
1	ENTRY
2	RECEPTION
3	EXECUTIVE DIRECTOR OF MARKETING AND ADVERTISING
4	ACCOUNT EXECUTIVE
5	RESTROOM
6	KITCHENETTE
7	IT / SERVER ROOM
8	CONFERENCE ROOM
9	CREATIVE TEAM / ADMINISTRATIVE ASSISTANT



1 FLOOR FINISH PLAN
ID-5 SCALE: 1/4" = 1'-0"

FLOOR FINISH SCHEDULE	
SYMBOL	DESCRIPTION
C-1	Carpet
CT-1	Carpet Tile
CT-2	Carpet Tile
T-1	Tile
T-2	Tile

Sheet Title

Floor Finish

Sheet No.

ID - 5



Project

Rocawear Clothing Co.

Marketing and Advertising Headquarters
San Francisco, CA

Issue Dates

Date
10/21/08
Scale
1/4" = 1'-0"

Drawn
CB
Job
01

Revision

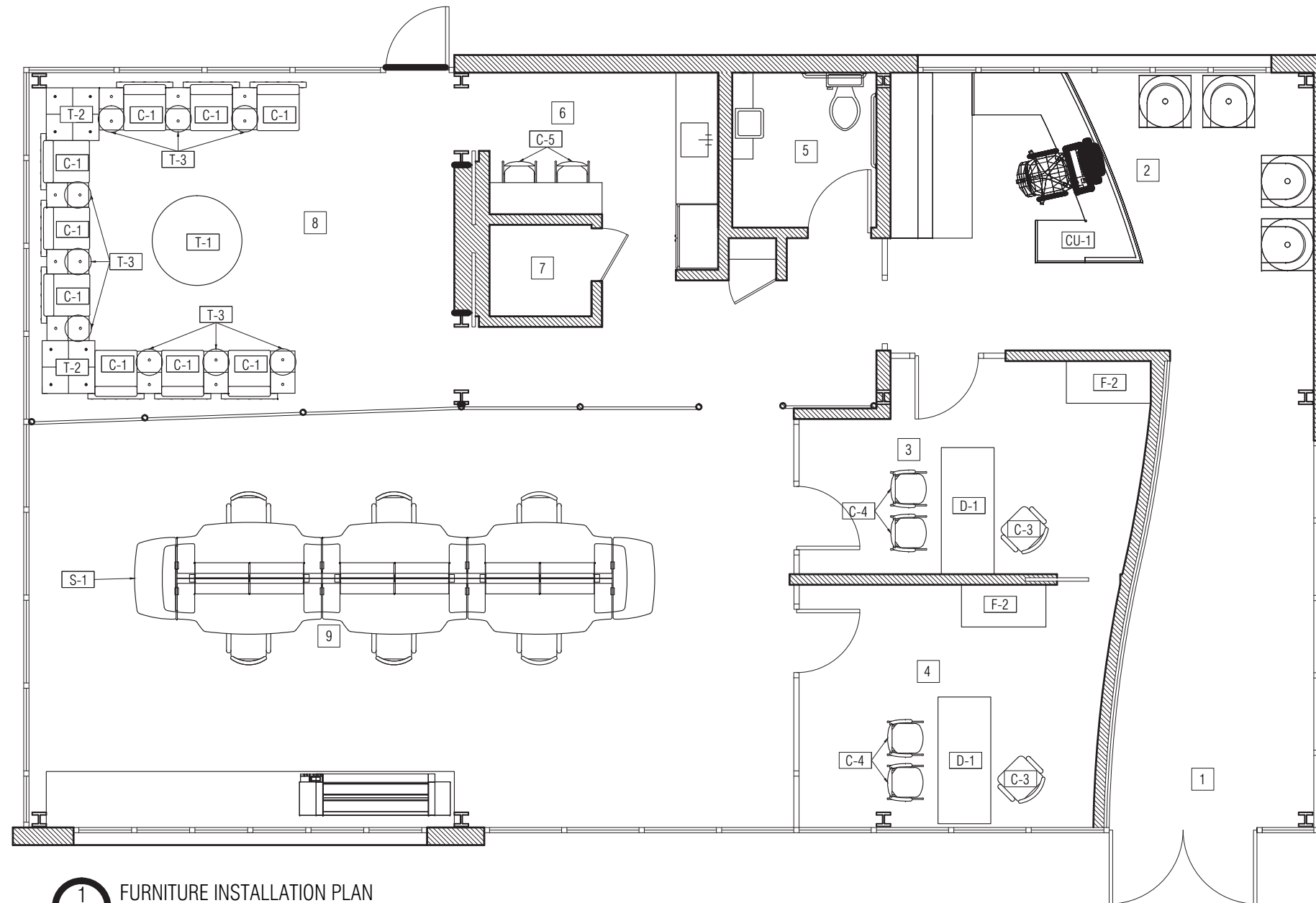
Date

By

Revision	Date	By

ROOM LEGEND

ROOM NO.	ROOM NAME
1	ENTRY
2	RECEPTION
3	EXECUTIVE DIRECTOR OF MARKETING AND ADVERTISING
4	ACCOUNT EXECUTIVE
5	RESTROOM
6	KITCHENETTE
7	IT / SERVER ROOM
8	CONFERENCE ROOM
9	CREATIVE TEAM / ADMINISTRATIVE ASSISTANT



1 FURNITURE INSTALLATION PLAN
ID-6 SCALE: 1/4" = 1'-0"

FURNITURE SCHEDULE														
SYMBOL	NAME	QUANTITY	UNIT SIZE	TYPE	SYMBOL	NAME	QUANTITY	UNIT SIZE	TYPE	SYMBOL	NAME	QUANTITY	UNIT SIZE	TYPE
C-1	Delano One Seat Lounge	9	2'-8" x 2'-4"	Chair	S-1	Hum	1	24'-7" x 5'-4"	System	T-1	Be-Bop	1	4'-3" Dia.	Table
C-2	Skye Task Chair	6	2'-1" x 2'-0"	Chair	CU-1	Custom Desk - See Notes	1		Custom	T-2	Delano 90° Tandem Table	2	2'-6" x 2'-6"	Table
C-3	Approach Task Chair	2	2'-1" x 2'-0"	Chair	D-1	Cavour Desk	2	8'-2" x 2'-11"	Desk	T-3	Delano Side Table w/ Tablet	4	1'-2" x 2'-0"	Table
C-4	Bingo Side Chair	4	1'-8" x 1'-9"	Chair	F-1	File	3	15" x 23"	File					
C-5	Bingo Stool	2	1'-8" x 1'-9"	Chair	F-2	File	2	4'-0" x 2'-0"	File					
C-6	Alex Chair	4	2'-5" x 2'-5"	Chair										

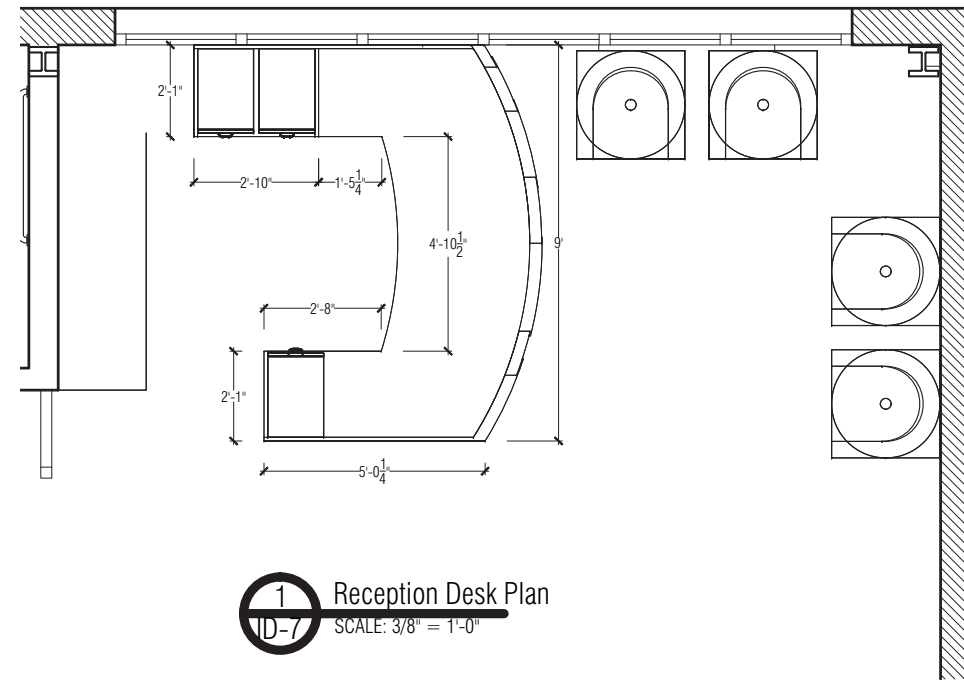
Notes: Custom Desk; Details shown on sheet ID-7

Sheet Title

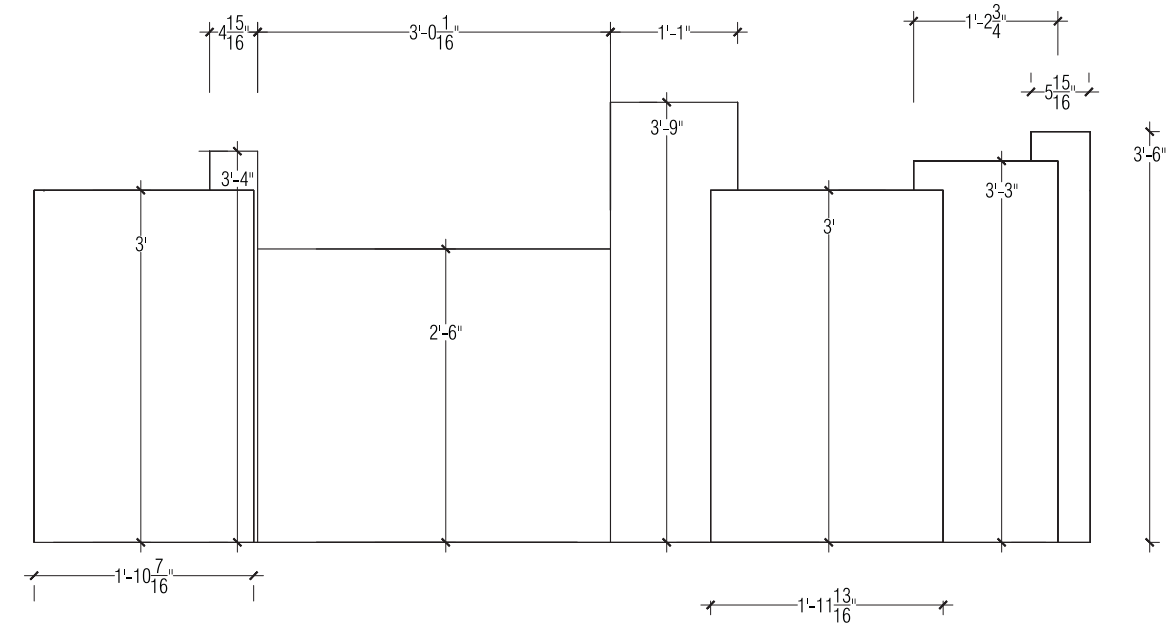
Furniture Installation

Sheet No.

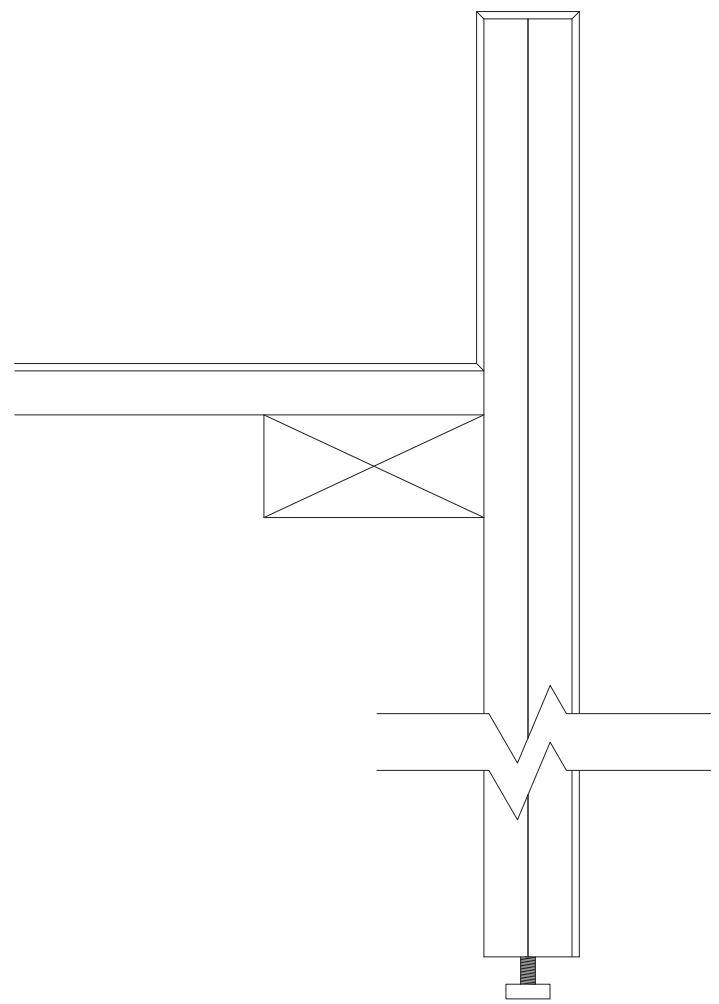
ID - 6



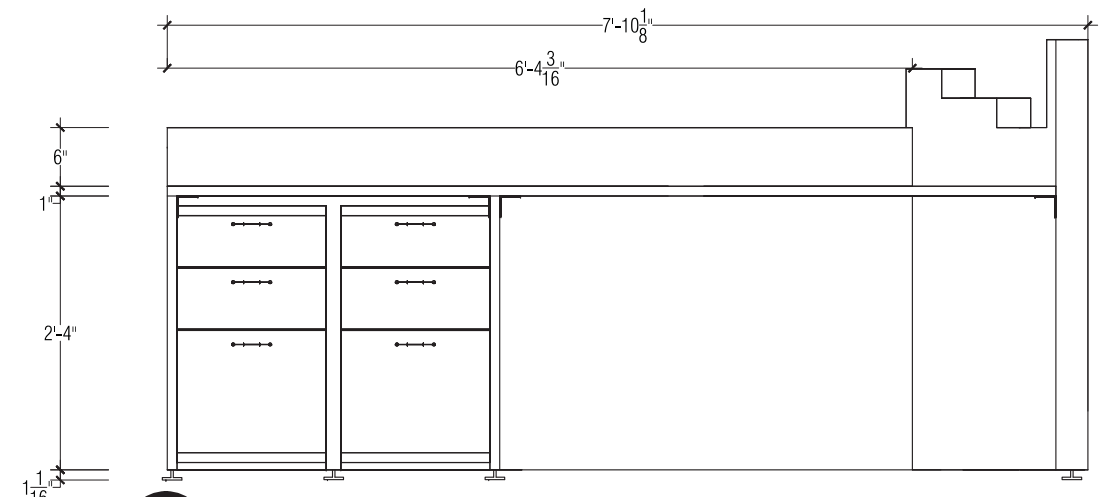
1 Reception Desk Plan
ID-7 SCALE: 3/8" = 1'-0"



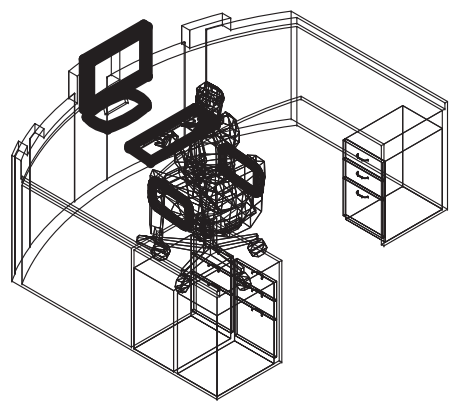
2 Detail Elevation
ID-7 SCALE: 1" = 1'-0"



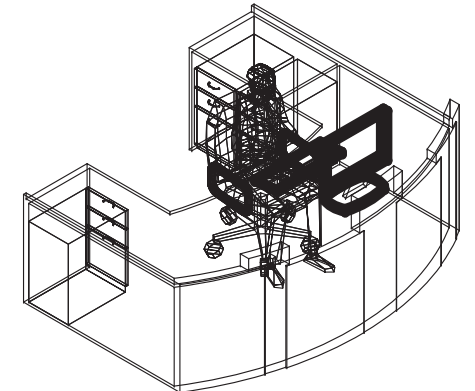
4 Vertical Edge Detail
ID-7 SCALE: 6" = 1'-0"



3 Detail Section
ID-7 SCALE: 1" = 1'-0"



5 Isometric View
ID-7 SCALE: 3/8" = 1'-0"



6 Isometric View
ID-7 SCALE: 3/8" = 1'-0"

Crisby Interiors



Chris Brandley
chris@llamanade.net
415-827-2839

Project

Rocawear Clothing Co.

Marketing and Advertising Headquarters
San Francisco, CA

Issue Dates

Date	Drawn
10/21/08	CB
Scale	Job
1" = 1'-0"	01

Revision	Date	By

ROOM LEGEND

ROOM NO.	ROOM NAME
1	ENTRY
2	RECEPTION
3	EXECUTIVE DIRECTOR OF MARKETING AND ADVERTISING
4	ACCOUNT EXECUTIVE
5	RESTROOM
6	KITCHENETTE
7	IT / SERVER ROOM
8	CONFERENCE ROOM
9	CREATIVE TEAM / ADMINISTRATIVE ASSISTANT

Sheet Title

Detail Drawings

Sheet No.

ID -7