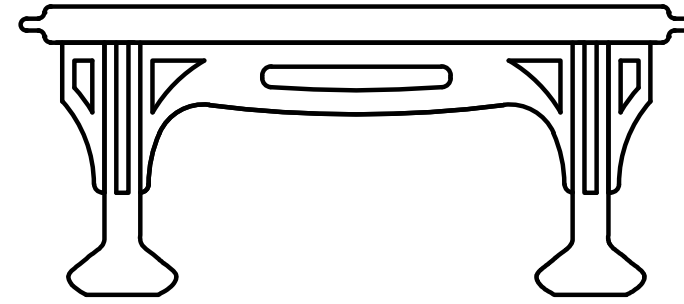
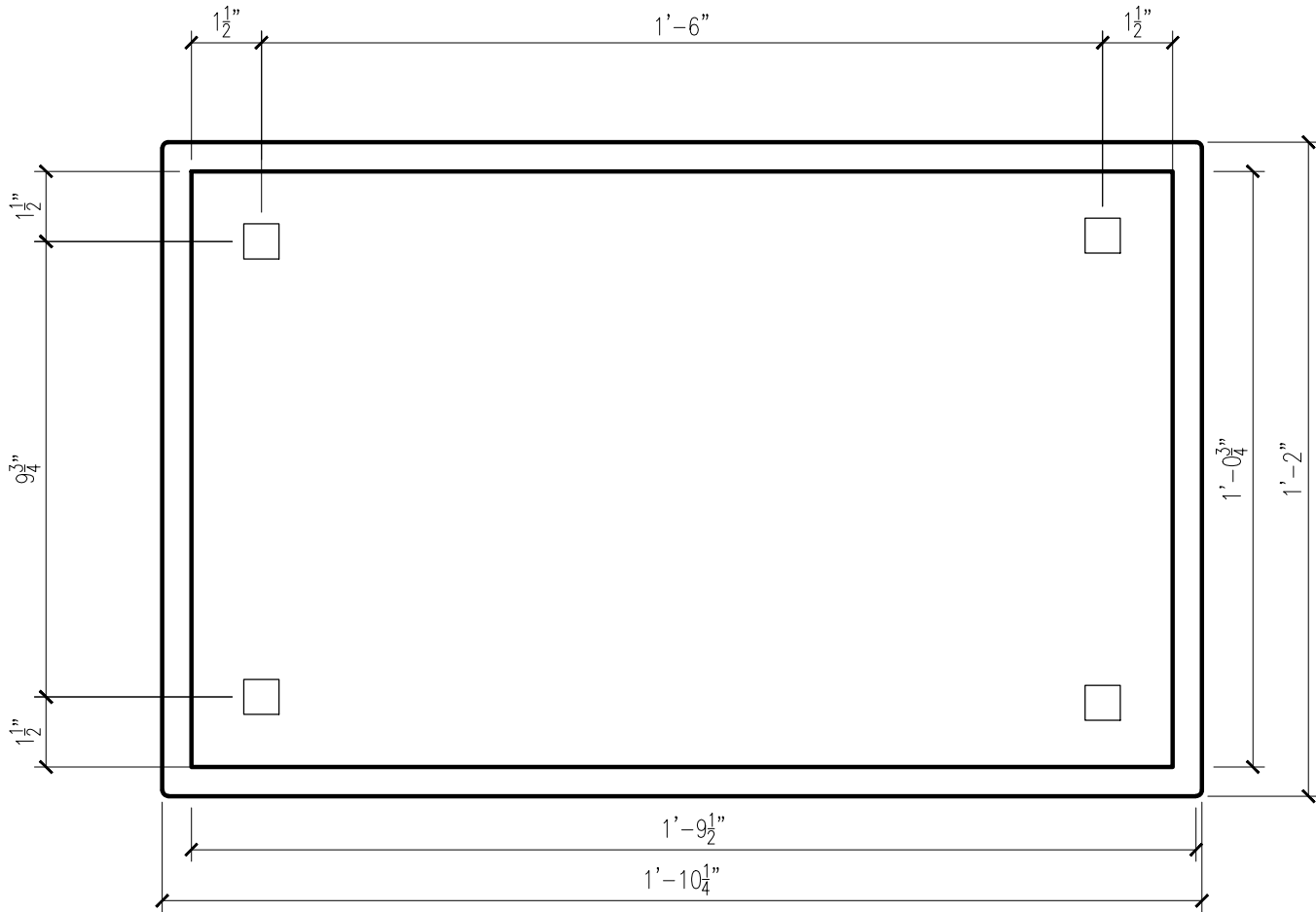


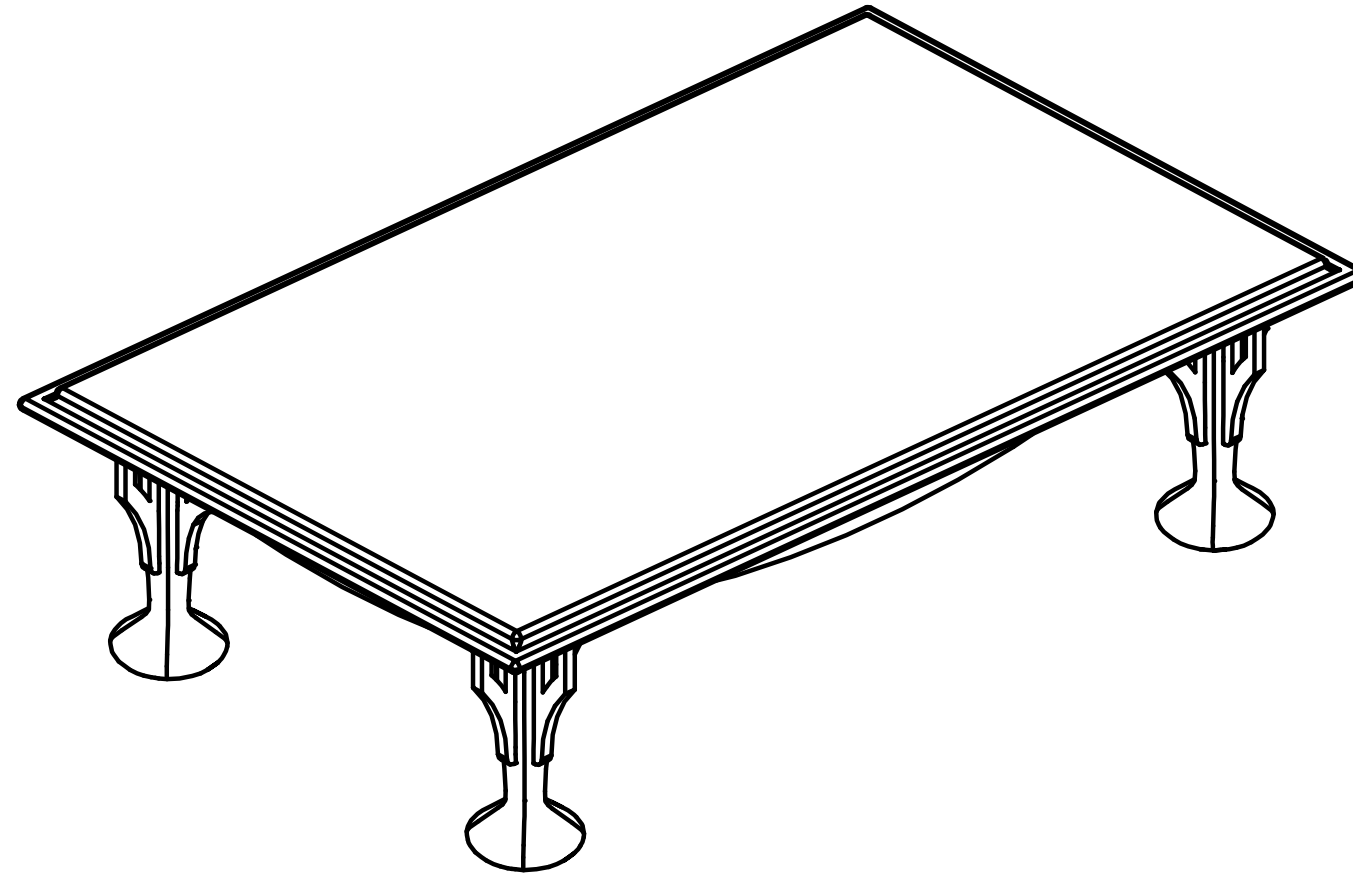
Elevation A  
Scale: 3" = 1'-0"



Elevation B  
Scale: 3" = 1'-0"



Plan  
Scale: 3" = 1'-0"

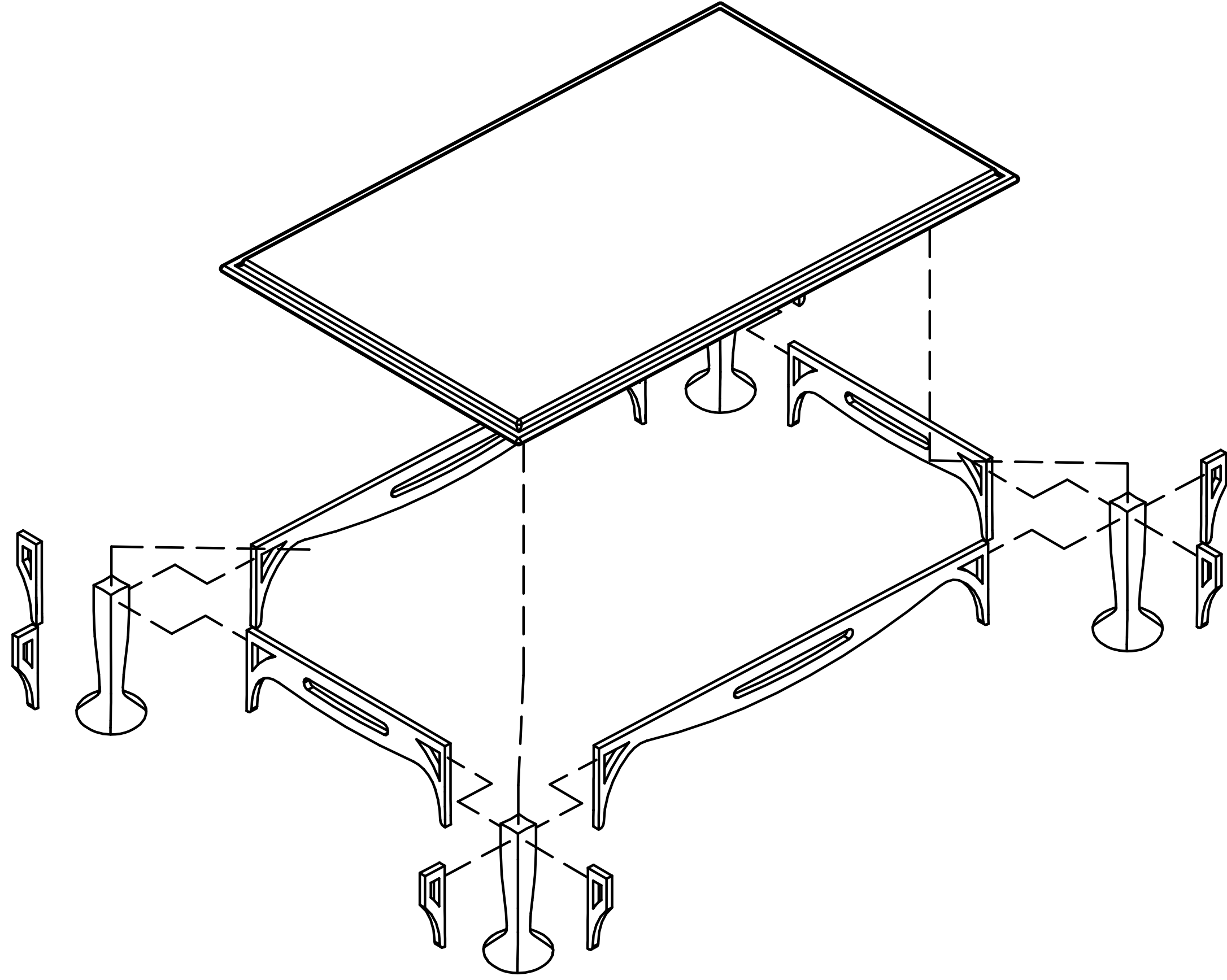


Isometric  
No Scale

# Job: Bonsai Pot Stand

Customer: Brandley	Sheet: 1 of 3
Drafter: CB	Version: 1.0 - 8/18/12

Exploded Isometric  
No Scale



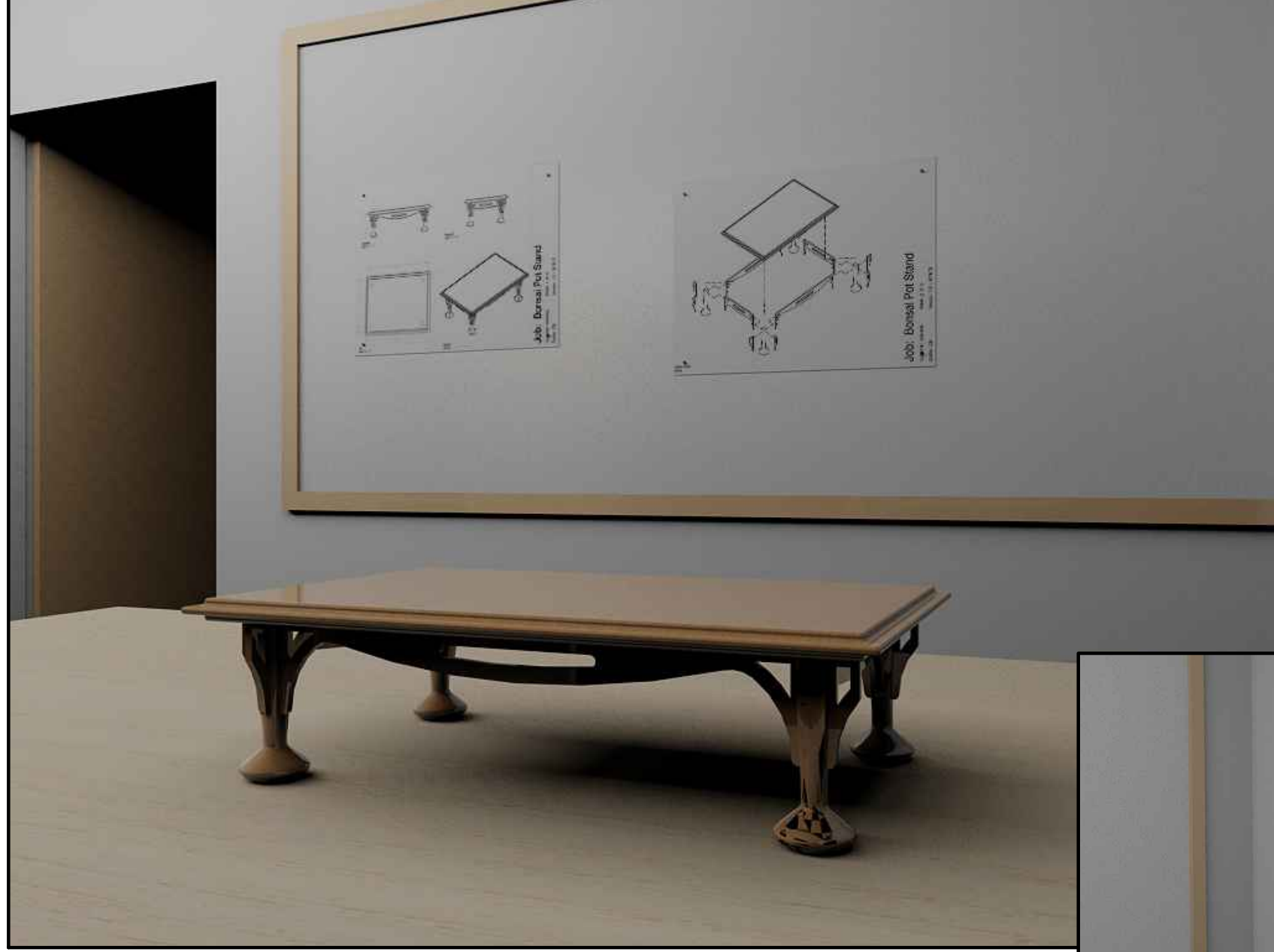
# Job: Bonsai Pot Stand

Customer: Brandley

Sheet: 2 of 3

Drafter: CB

Version: 1.0 - 8/18/12



Renderings  
No Scale

# Job: Bonsai Pot Stand

Customer: Brandley	Sheet: 3 of 3
Drafter: CB	Version: 1.0 - 8/18/12