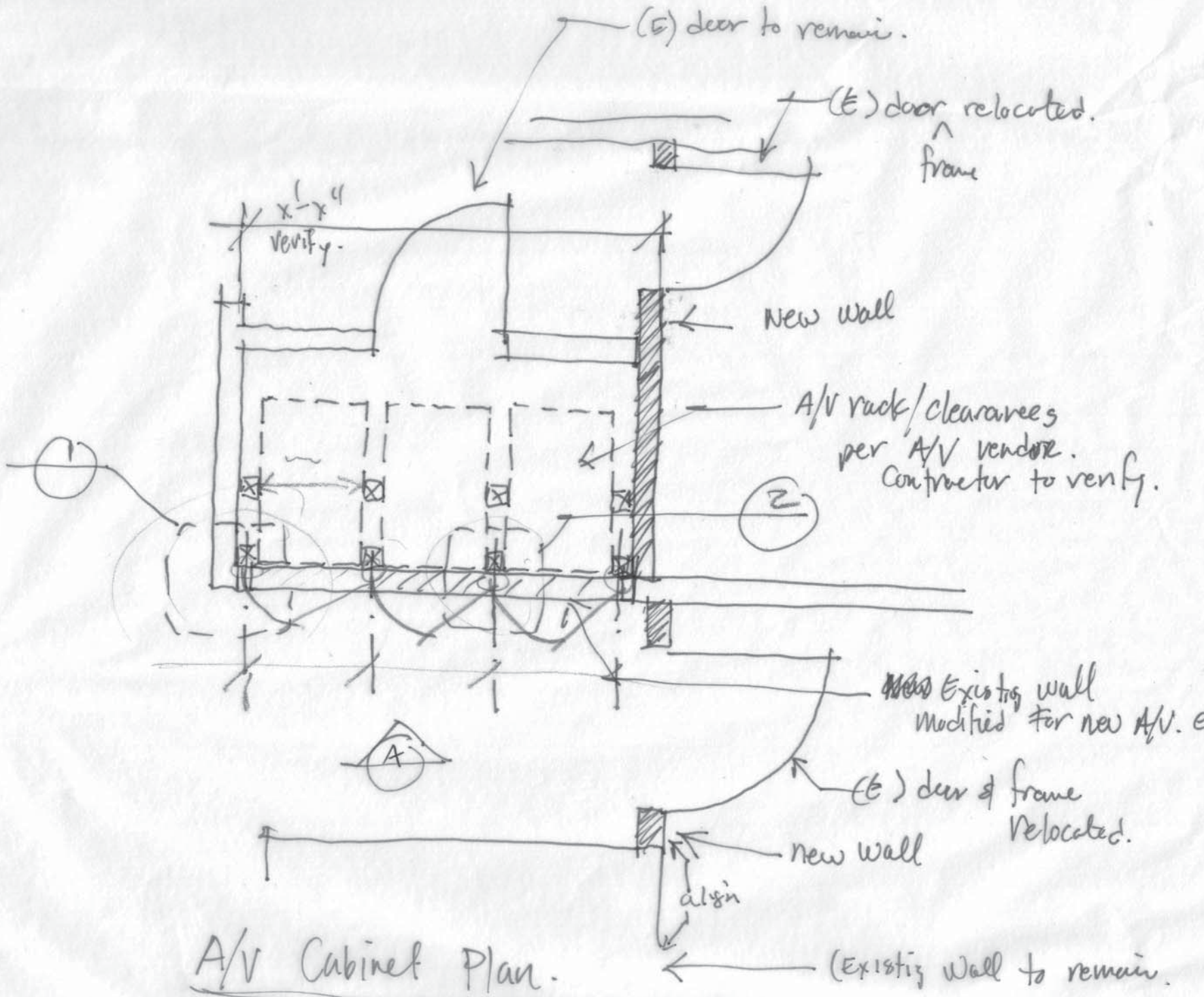
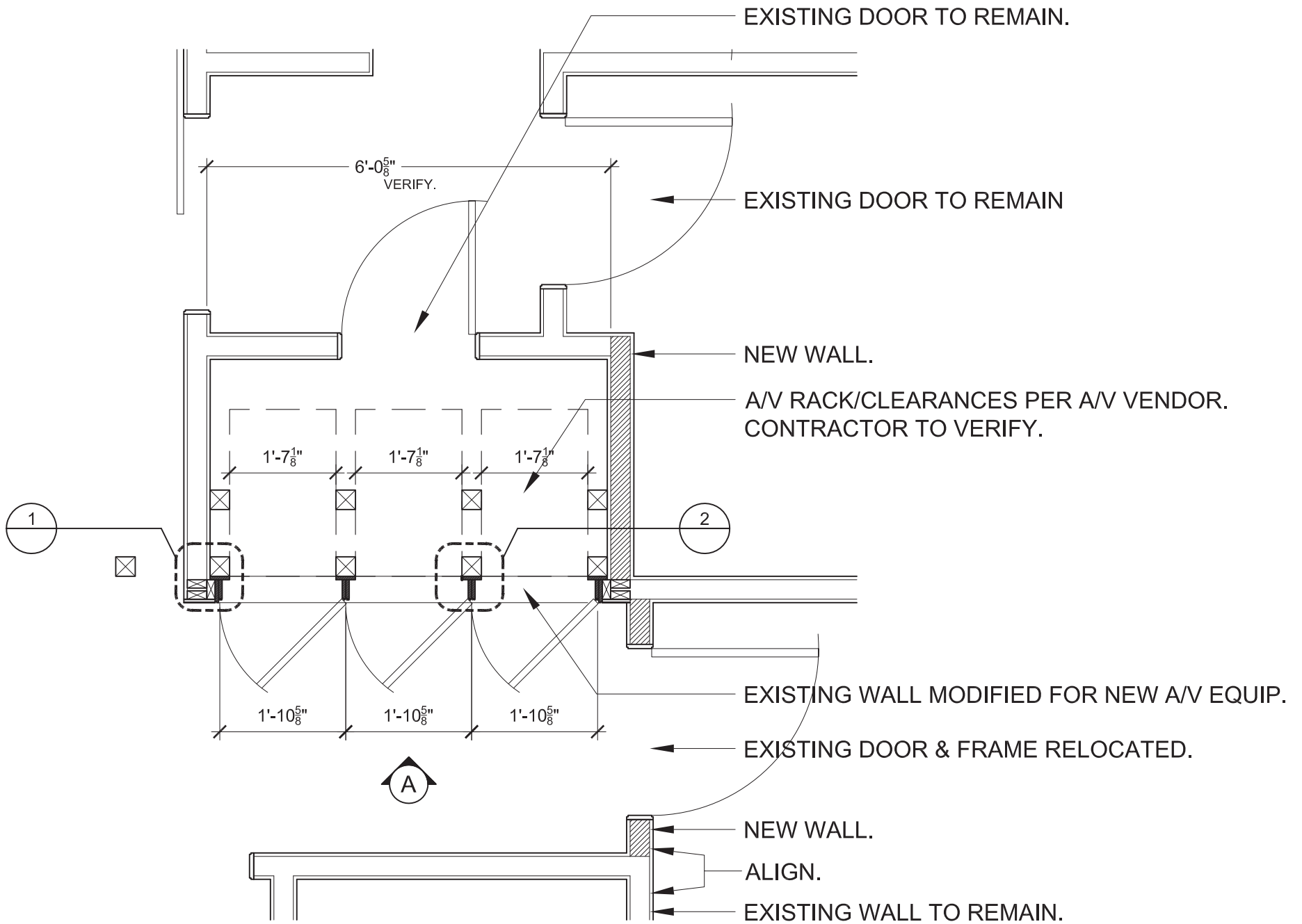


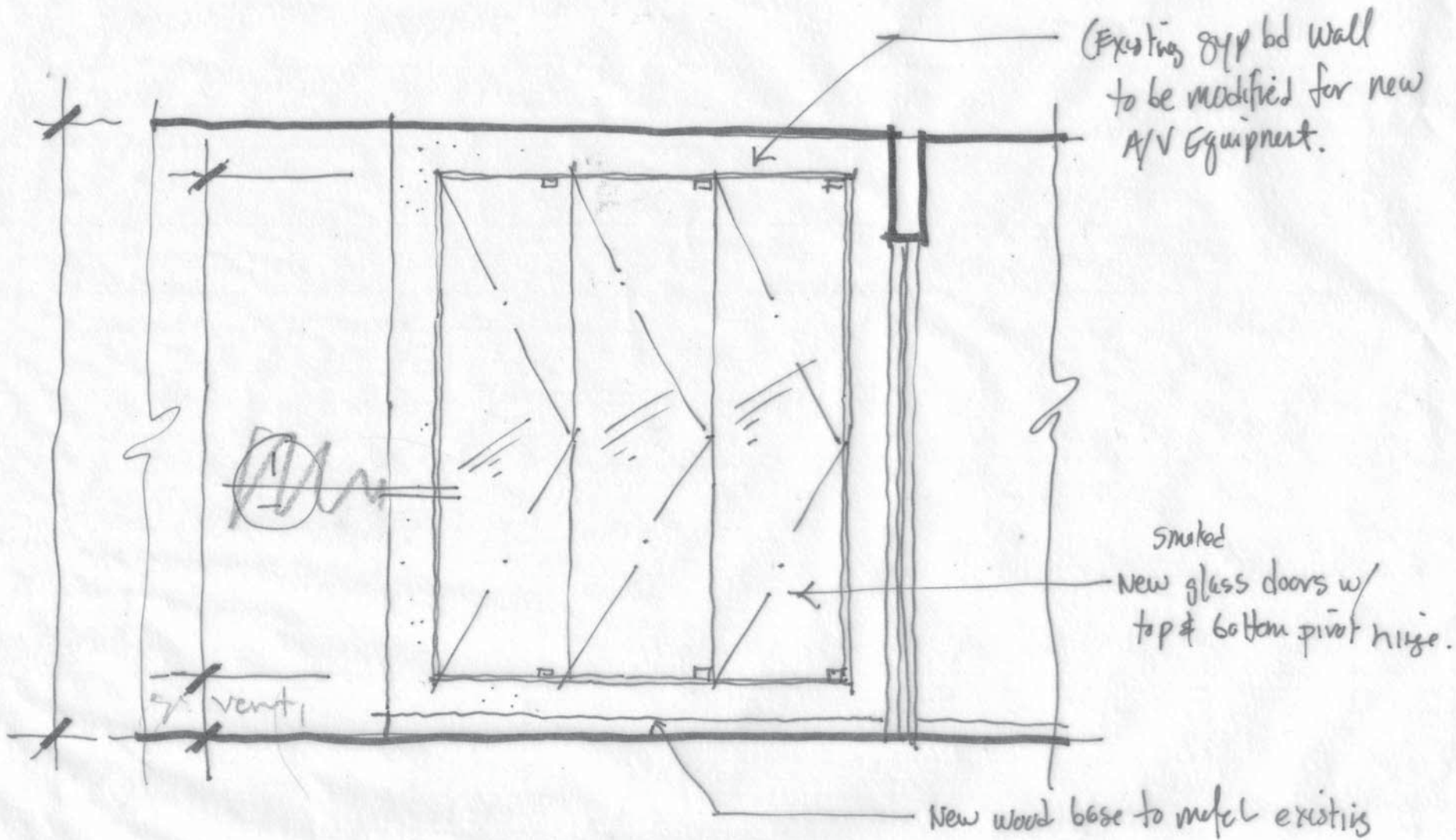
3'





# A/V Cabinet Plan

1/2"=1'-0"

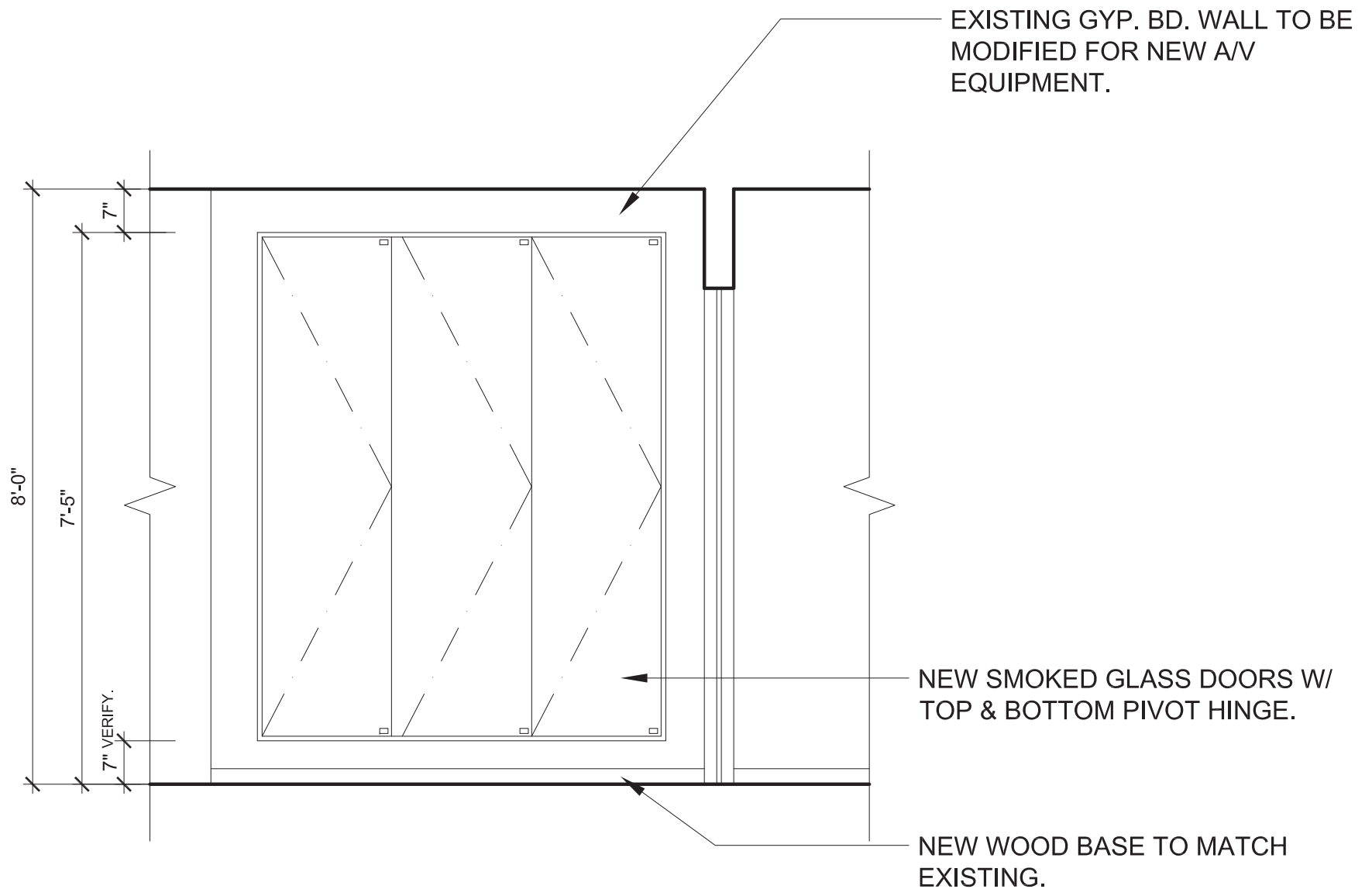


A/V Cabinet Elevation

$\frac{1}{4}'' = 1'0''$

(A)

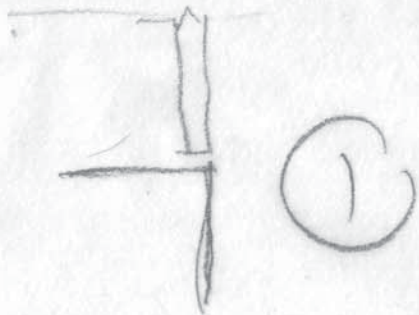
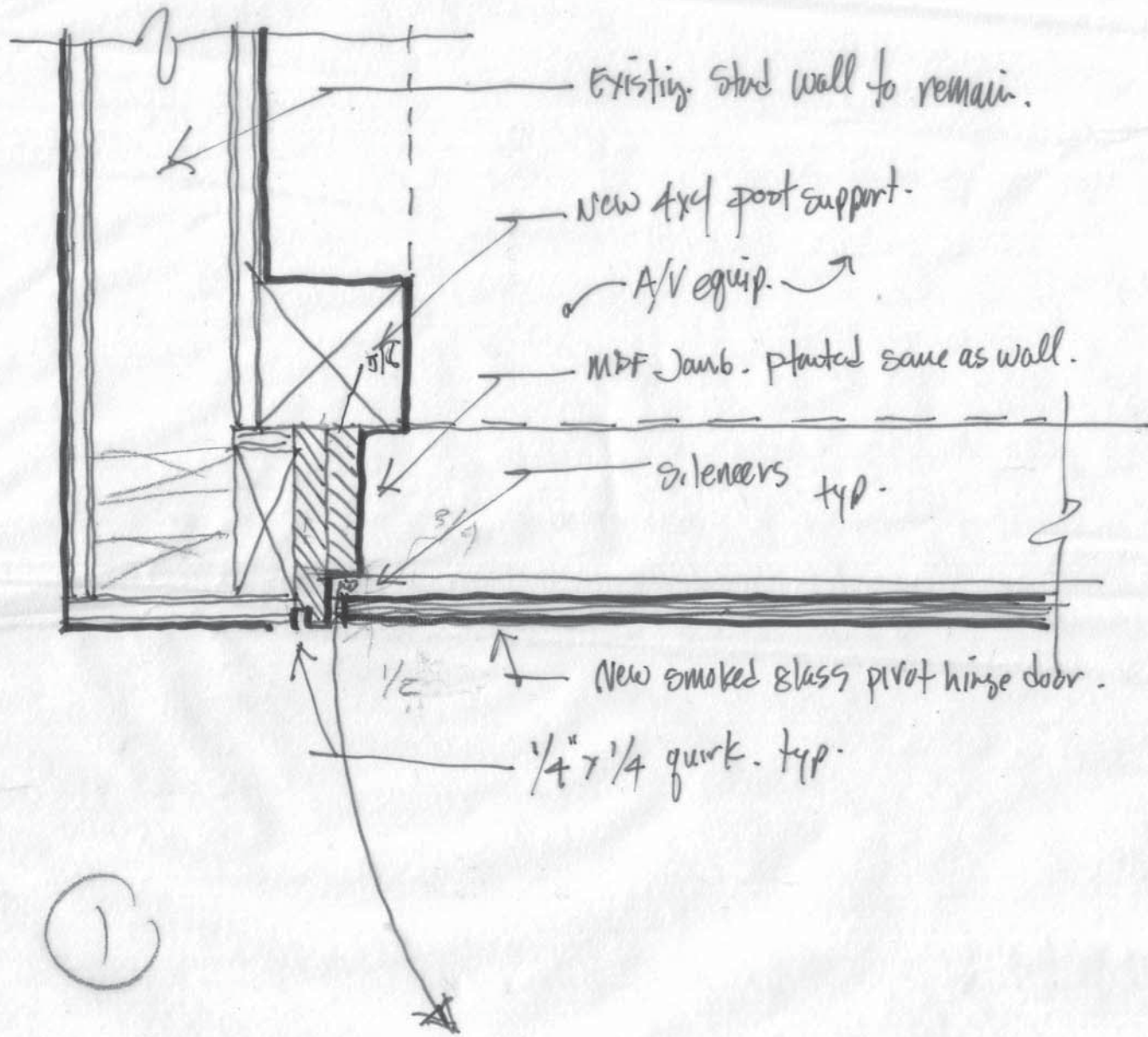
10:58

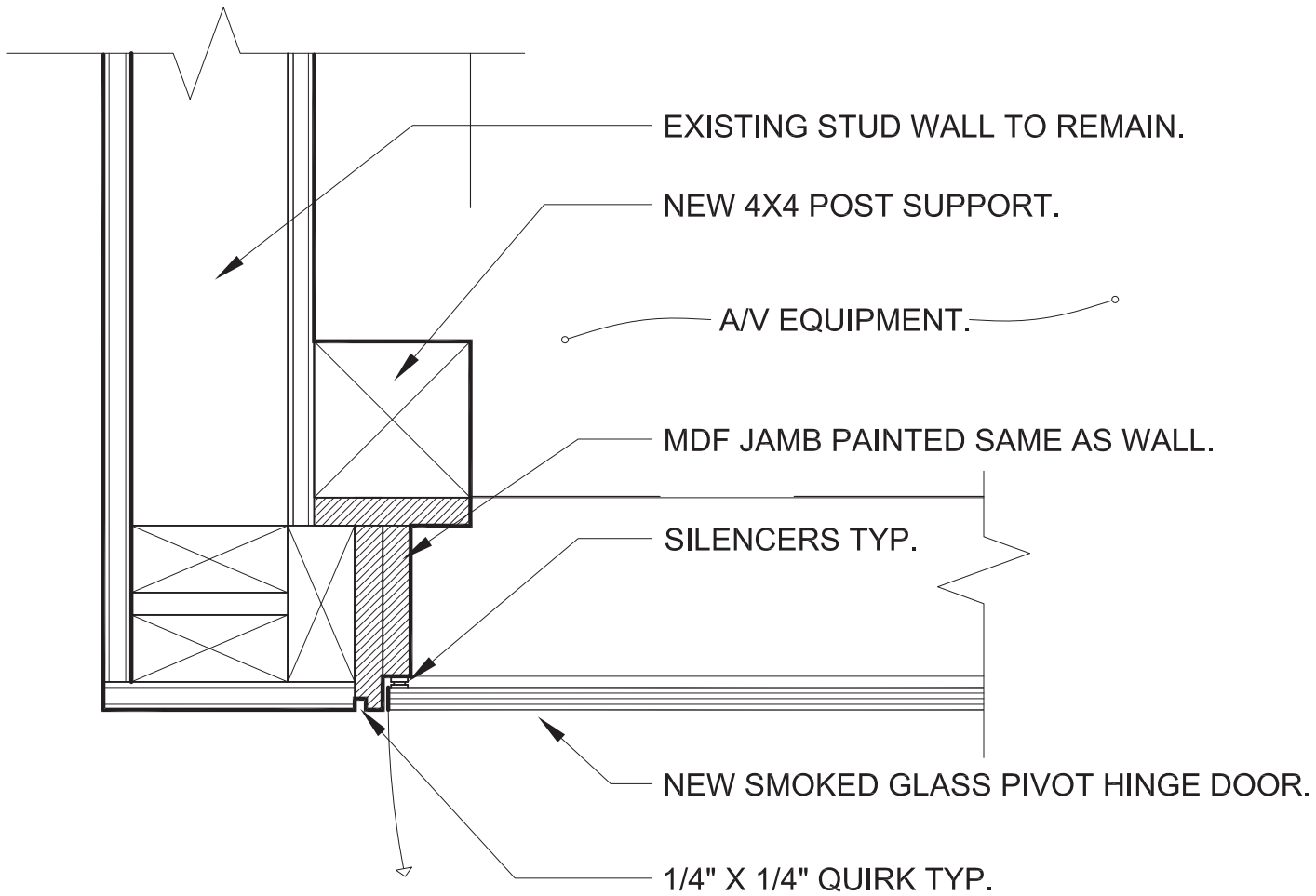


**A**

**A/V Cabinet Elevation**

1/2"=1'-0"

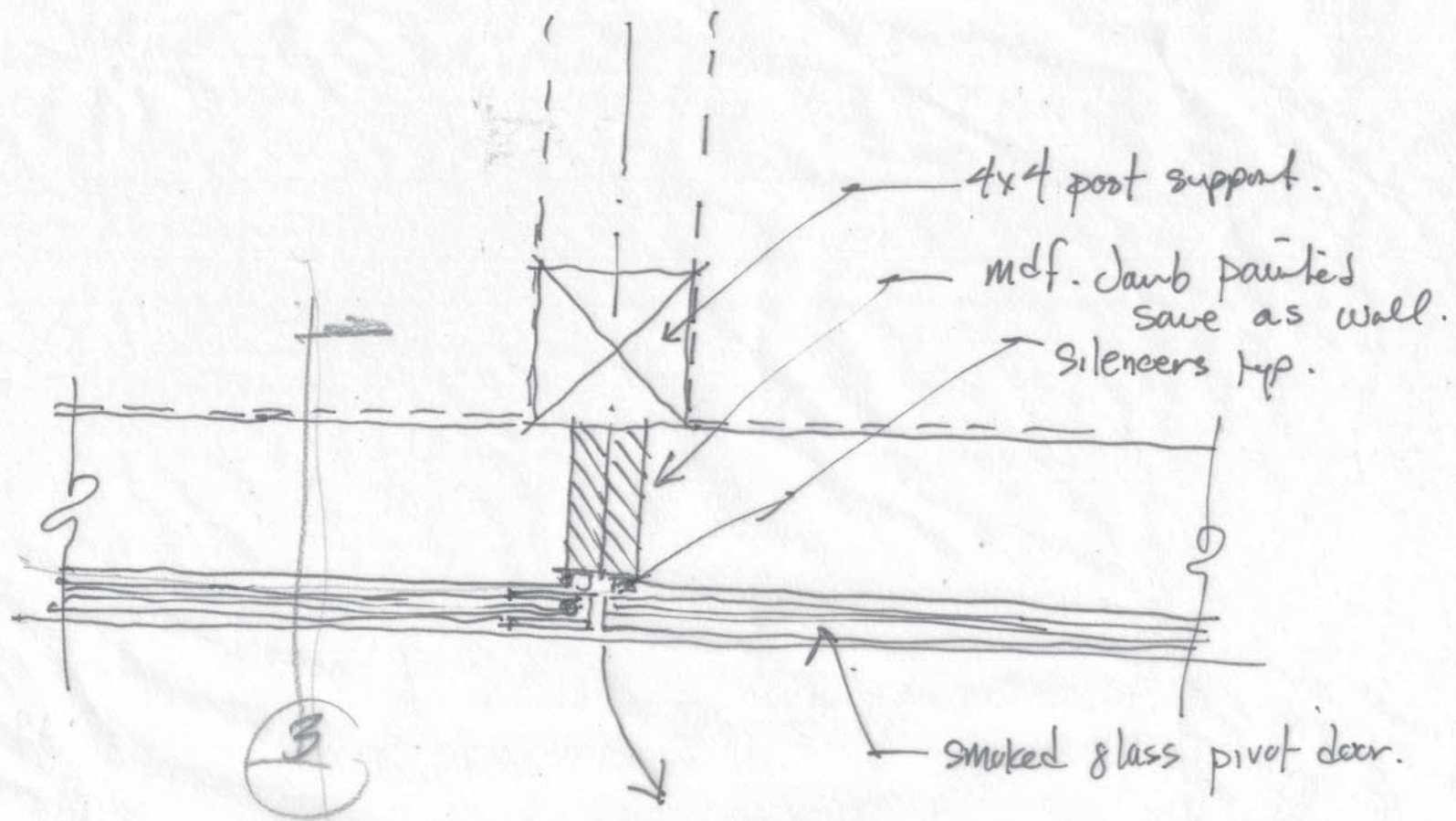


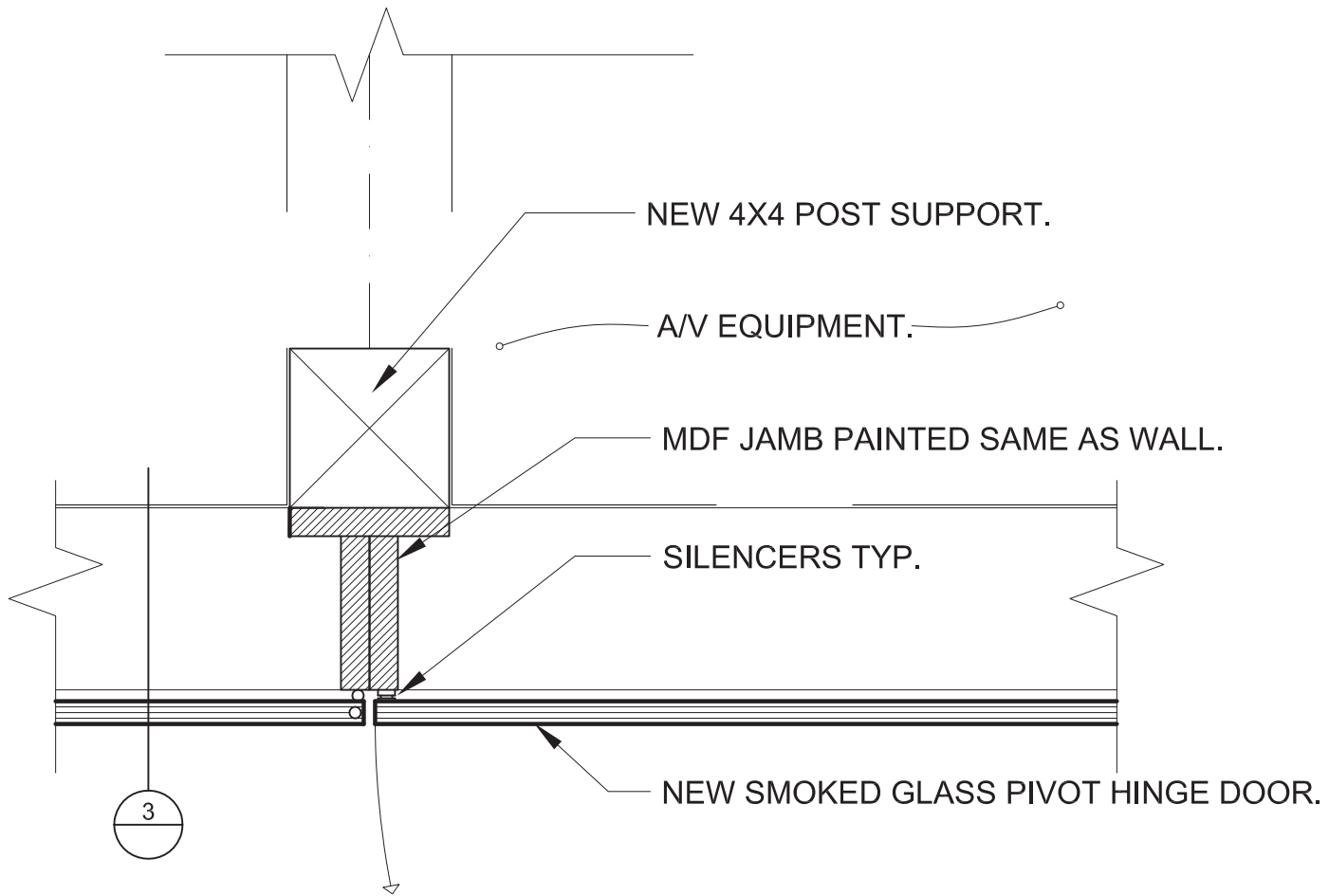


1

A/V Cabinet Detail Plan

3"=1'-0"



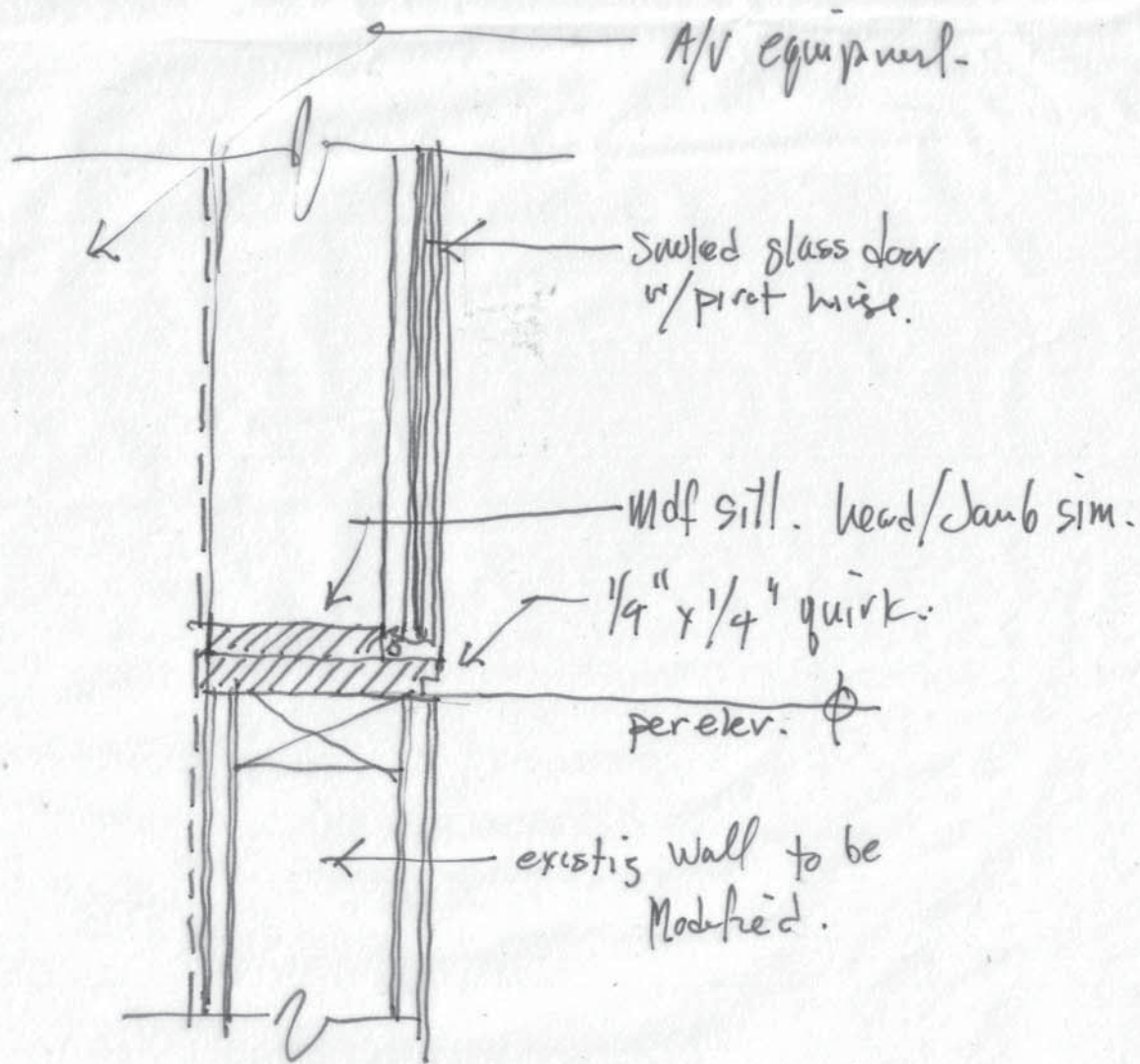


2

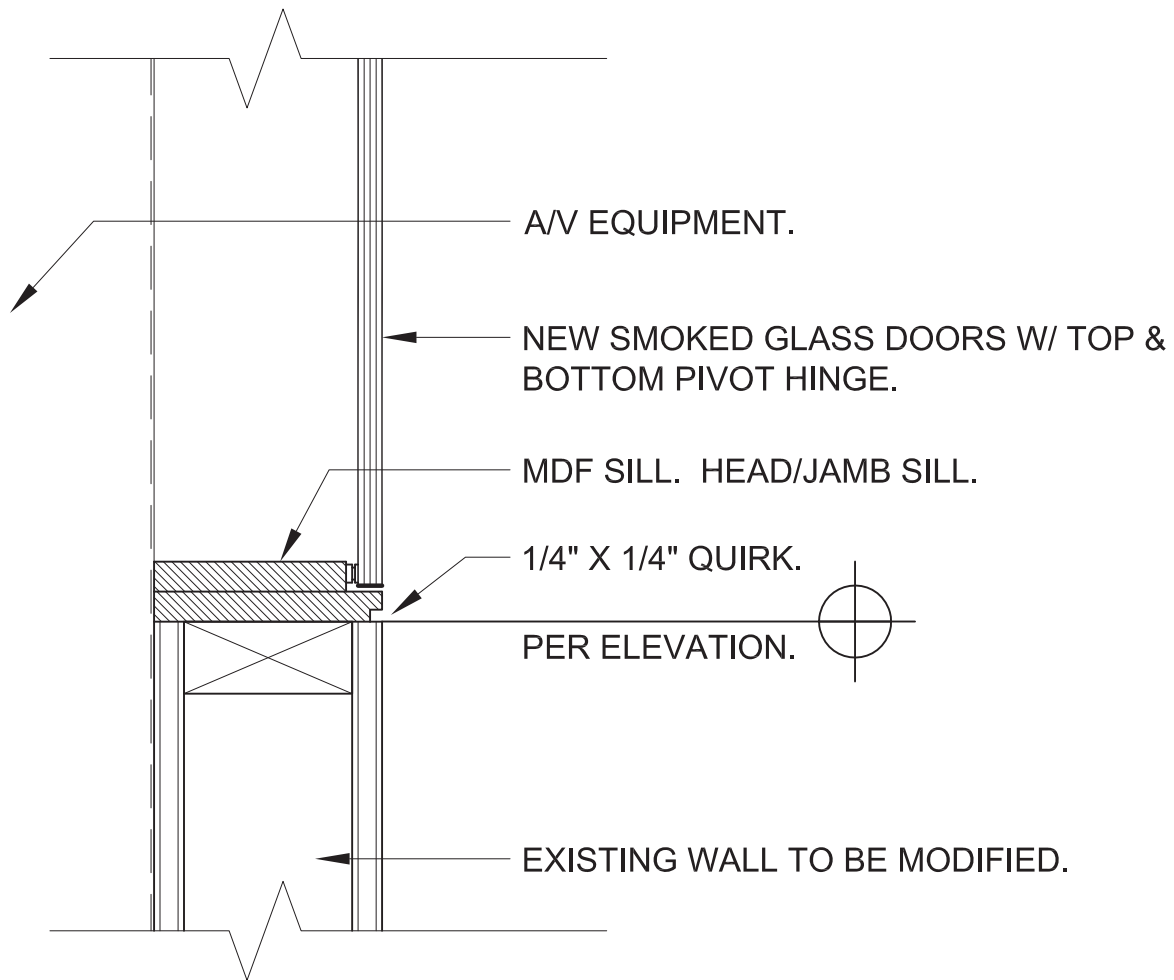
A/V Cabinet Detail Plan

3"=1'-0"





3



3

A/V Cabinet Detail Plan

3"=1'-0"